

Disconnect Switch Services

Refurbishing disconnect switches of all ratings to like-new condition.



The only shop with the expertise to refurbish disconnect switches of all ratings to like-new condition.

We rebuild the complete asset — live parts, bearings, and operators — not just the wear items.

- Refurbished or new blade and hinge contacts
- Full bearing rebuild or upgrade
- Complete rebuild of both manual and motor operators
- Custom-manufactured components to replace damaged parts discontinued by the OEM
- Proven upgrades and modifications that extend the life of the asset



REFURBISHED DISCONNECT SWITCH ASSEMBLIES

Testing Services

Comprehensive electrical testing of transformers and circuit breakers.



TRANSFORMERS

- Dielectric testing
- DGA oil testing
- Overall power factor & capacitance
- Bushing power factor
- 3-phase or 1-phase TTR
- 3-phase or 1-phase excitation current
- 3-phase winding resistance
- 3-phase or 1-phase leakage reactance
- Insulation resistance
- CT testing (EZCT-2000C)
- SFRA (Doble M5400)

CIRCUIT BREAKERS

- Oil, vacuum & SF6 breakers
- Bushing power factor
- Hi-pot
- Insulation resistance
- DLRO contact resistance
- Timing tests

PRIMARY INSTRUMENT



Doble M4100

High-voltage apparatus tester — the backbone of our diagnostic program, supported by the M5400 (SFRA) and EZCT-2000C (CT testing).

Universal Gear Operator Replacement

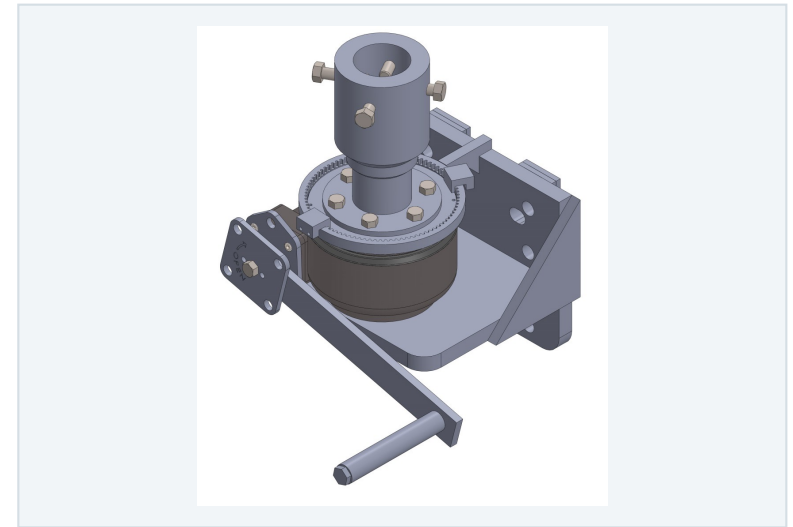


Replace any traditional gear operator — no structural modification, in an hour or less.

Patented design. Replace any worn or seized operator in an hour or less.

Our universal mounting backplate fits the existing structure — no modification required.

- Maintenance-free slew drive gearbox eliminates back drive
- Machined aluminum downpipe adaptor with 4 piercing bolts
- Standard in 2", customizable up to 3"
- Anodized stops adjustable in 4° increments
- Four-position lock and reversible open-plate indicator
- Standard 36:1 gear reduction; optional 62:1 gear reduction



INSTALL TIME

≤ 1 hour

GEAR REDUCTION

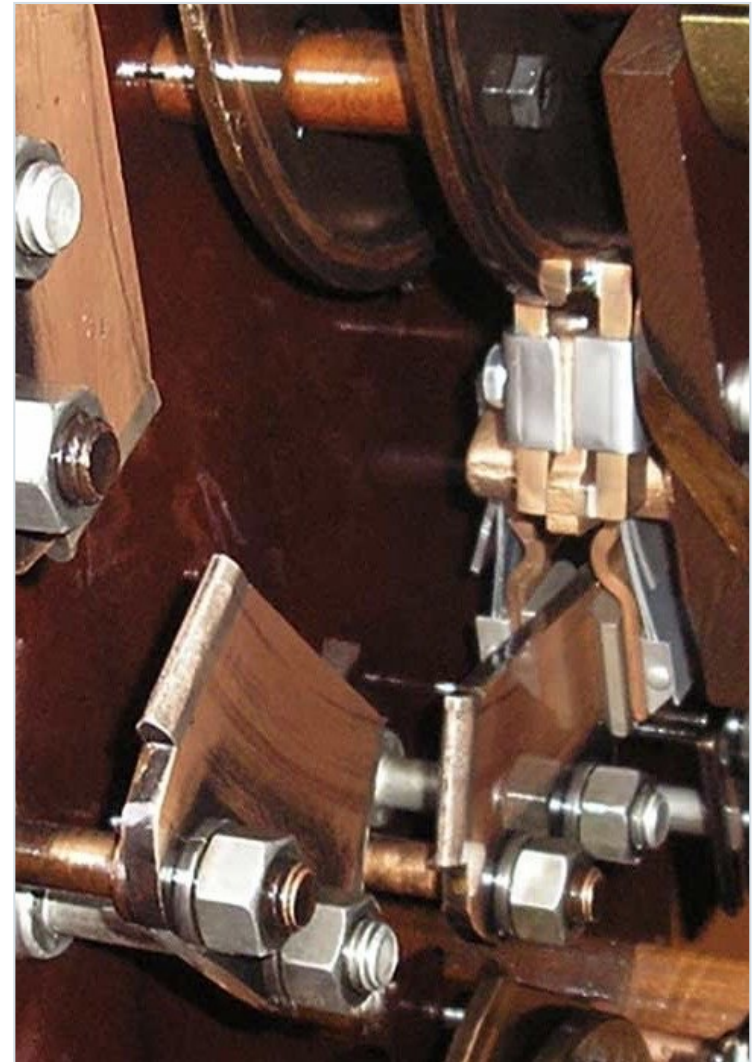
36:1 / 62:1

Contacts & Parts



Individual parts, full kits, and reverse-engineered components — anywhere inside the fence.

- LTC and OCB contacts — individual parts and full kits
- Reverse-engineer and manufacture discontinued components
- Transformer components, including:
 - Qualitrol gauges
 - Replacement fans
 - Pump rebuilds
 - Pump receptacles & stop-leak adaptors
 - Draw-lead extensions
- Recloser contacts, gaskets, and internal components
- Regulator contacts, gaskets, and board refurbishment
- Design & manufacture of virtually any component inside the substation fence



PRECISION-MACHINED REPLACEMENT CONTACTS & PARTS

Field Services



Turnkey substation service for transformers, breakers, and disconnect switches.

TRANSFORMERS

- Inspection
- Bushing changeout
- LTC inspection & maintenance
- LTC motor drive maintenance & repair
- Pump & valve maintenance & repair
- Fan & radiator repair
- Vacuum dehydration
- Hot oil processing
- Control cabinet repair & replacement
- Overall touchup & painting

BREAKERS

- Preventive maintenance
- Testing
- Bushing changeout
- Breaker changeout
- Commissioning
- Control cabinet repair & replacement
- Oil filtering
- Touchup & painting

DISCONNECT SWITCHES

- Inspection
- Adjustment
- Testing
- Installation
- Replacement parts
- Refurbishment — live parts, bearings, operators
- Bus modification

Parts required to perform services can be supplied by Southern Switch & Contacts — manufactured to meet or exceed OEM specifications.