

Universal Gear Operator Replacement

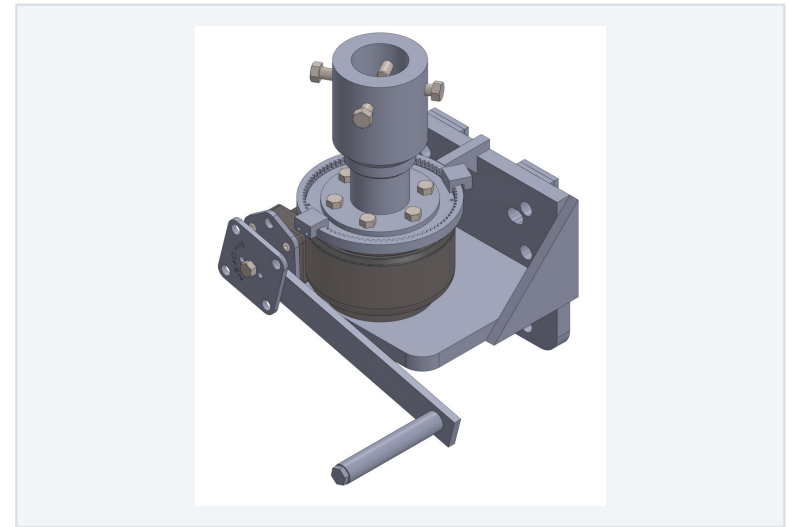


Replace any traditional gear operator — no structural modification, in an hour or less.

Patented design. Replace any worn or seized operator in an hour or less.

Our universal mounting backplate fits the existing structure — no modification required.

- Maintenance-free slew drive gearbox eliminates back drive
- Machined aluminum downpipe adaptor with 4 piercing bolts
- Standard in 2", customizable up to 3"
- Anodized stops adjustable in 4° increments
- Four-position lock and reversible open-plate indicator
- Standard 36:1 gear reduction; optional 62:1 gear reduction



INSTALL TIME

≤ 1 hour

GEAR REDUCTION

36:1 / 62:1